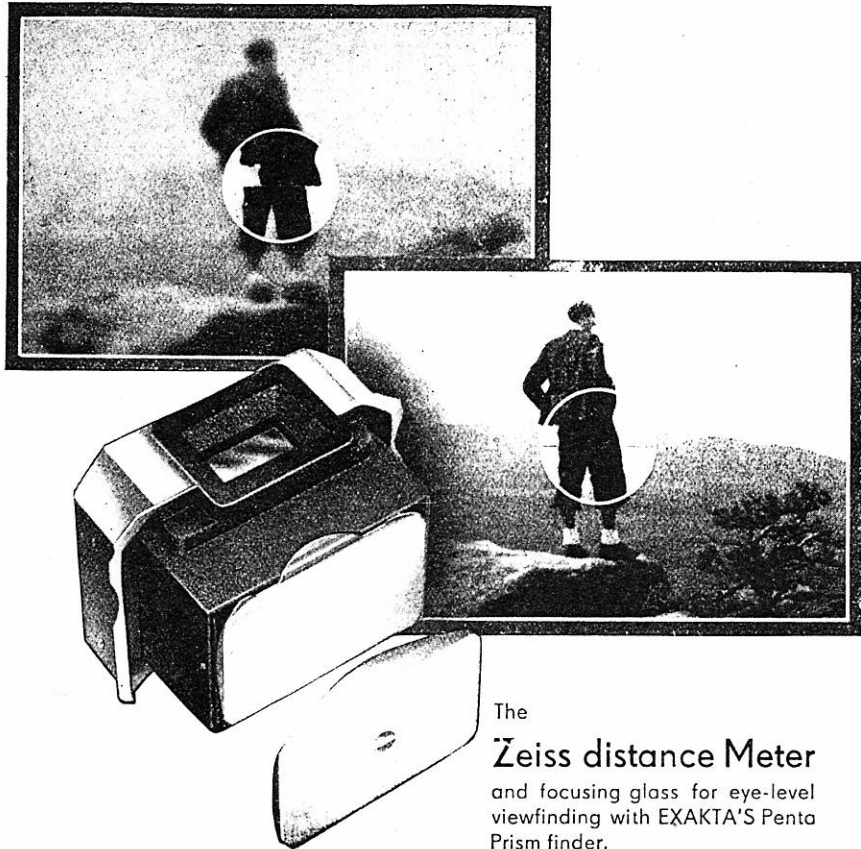


Further Possibilities



The
Zeiss distance Meter
and focusing glass for eye-level
viewfinding with EXAKTA'S Penta
Prism finder.

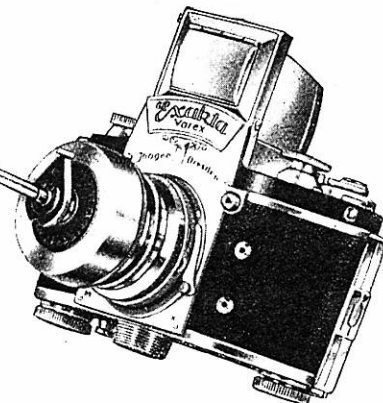
The new Distance Meter is designed to be of considerable help in critical focusing with the EXAKTA camera. It has the same outside form as the regular ground-glass of the Penta Prism Finder and can be easily installed by simply exchanging the ground-glasses. The Distance Meter makes critical focusing possible even under adverse light conditions.

The Distance Meter consists of a circular space in the center of an otherwise common ground-glass for the Penta Prism Finder. The Meter controls correct focusing not by rendering a sharp or unsharp image, but by having the two halves of the inner part of the image in line or out of line each with other and with its surrounding parts, depending upon whether the image is in sharpest focus possible or not. The two pictures presented on this page show exactly the ways in which the Distance Meter works. For best results, the photographer has to focus on a vertical line within the image if he takes horizontal pictures; or on a horizontal line when the camera is held vertically. Otherwise, the Distance Meter functions like all regular split-image types of range finders. However, with the Distance Meter, you are composing the picture on the large ground-glass and you are controlling not only color composition, but depth of field also. The minimum diaphragm stop with the Distance Meter is 5,6.

With the Distance Meter, the Exakta automatically renders pictures of pinpoint sharpness. However, whenever preference is given to a regular or any other special focusing glass, the change is easily made by the camera owner himself.

Endoscopic Photography.

Because of its single-lens reflex design, the EXAKTA is ideally suited for photographing cavities and inner organs of the human body (the bladder, etc.). Thanks to a new adapter, the camera can be connected to many Endoscopes; like the Cystoscope, Thorakoscope, and Gastroscope. Standard connecting adapters will be available as stock items and special types can be made on order.



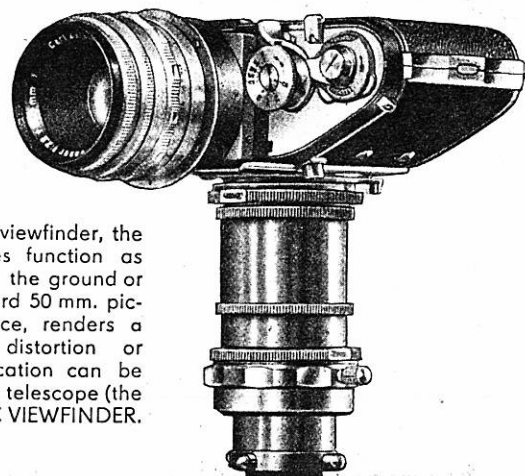
StereoPhotography, single exposure.

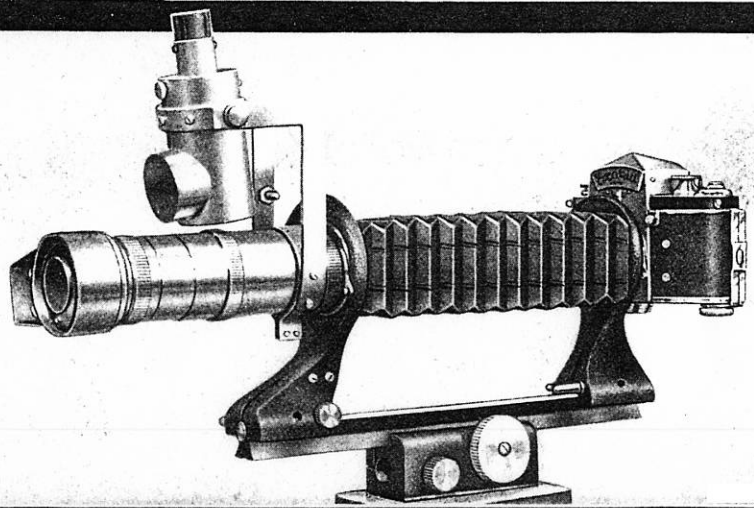
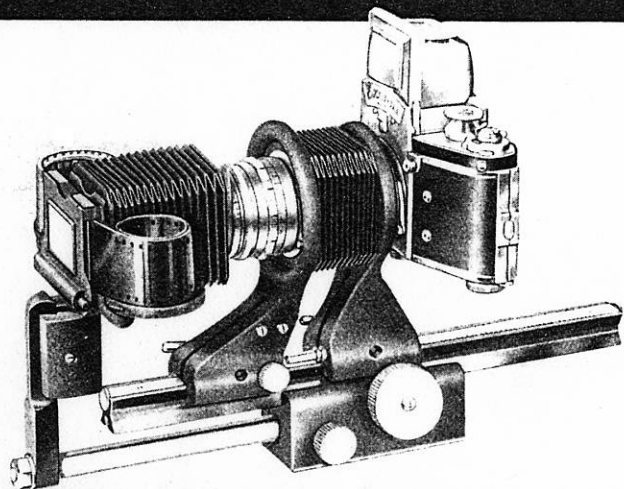
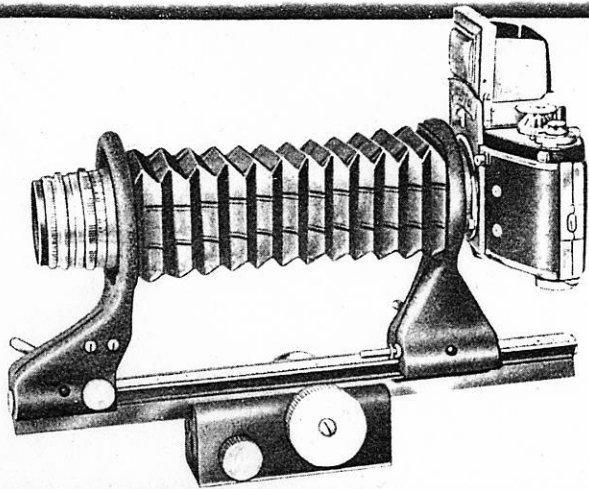
With the Zeiss-Stereo-Attachments, the Exakta makes Stereo Photography an easy and simple matter. The picture has the 24 x 36 mm. size and each of its halves is one of the stereoscopic images. Stereo pictures of moving subjects are possible without difficulty. For focusing and composing the stereoscopic pictures, a special stereoscopic viewfinder has been designed, which renders a three-dimensional image already in the stage of viewfinding. The stereoscopic viewfinder is instantaneously interchangeable with the regular viewfinders on the Exakta. This stereoscopic viewfinder (when not on the camera), may be used as the viewer with which to inspect the finished transparencies.



Macrophotography and Photomicrography.

Such pictures taken from extremely short distances require an unusual degree in precision focusing and critical sharpness. For such cases, a special SCIENTIFIC VIEW-FINDER is available. With this viewfinder, the Exakta's picture taking lenses function as magnifiers of the image seen on the ground or clear focusing glass. The standard 50 mm. picture taking lens in this instance, renders a 5 x magnification, without distortion or aberration. Additional magnification can be obtained when holding a pocket telescope (the Zeiss Tellup) over the SCIENTIFIC VIEW-FINDER.





Manifold new applications of EXAKTA cameras made possible with new accessories

The EXAKTA VIELZWECK (pronounced "feelzweck") is a combination which introduces a new trend in the field of EXAKTA accessories. The VIELZWECK is a group of several component parts, each of which can be used separately and independently for the purpose for which it was designed, or; two or more parts can be attached together to make another accessory. The versatility of the combination is self-evident; it fulfills all requirements of professional and scientific photography.

The Vielzweck is offered for sale in complete sets, but its parts are also available separately. All parts are standardized, so that in cases where only one of the component pieces is required for the beginning, the rest can be acquired later on at any time as convenient to build up the complete unit. The foremost advantage of the VIELZWECK is its simplicity in use. It is precision-built; yet sturdy, easy to handle and to store.

This is what you can do with the "VIELZWECK"

Close-ups with the attachments as seen in picture No. 1, 4 and 5. The set-up No. 1 is for straight picture taking and the assembly can be put on a tripod, if desired. For shooting from above, the attachments as per fig. 4 and 5 are used. The bellows allows for continuous extension from 35-mm. to 220-mm., and a measuring scale marking every 20-mm. is engraved on the gliding rail.

The lens and camera holders have cog-wheel moving mechanisms and can be locked in any position along the gliding rail. The camera body itself can be switched by one twist from the horizontal into the vertical position and vice versa. Critical focusing and adjusting of the ratio of pictures is quick and precise. The unit is coming with the Original Ihagee lens and camera bayonet mounts built in.

Duplicating of Color and B & W Transparencies. In picture No. 2 we see how 35-mm. filmstrips and single slides up to 50 x 50 mm. are copied. The duplicates can be made in original size, or; any part of the frames to be copied can be singled out and enlarged to the 24 x 36 mm. size of the reproduction. For this purpose the original film can be moved both up and down and held as securely as necessary. As a light source, any household bulb of 40 - 60 watts is suitable and is placed in front of the opal glass which provides for even illumination. The ends of the filmstrip to be copied are resting in trays at the sides of the holder. A bellows is installed between the lens and the filmholder to keep outside light away.

Medical Pictures of Cavities. The special assembly as per fig. 3 is primarily designed for kolposcopic photography and is named "KOLPOPHOT". The "KOLPOPHOT" allows gynecologists to make inter-vaginal pictures and is invaluable for the diagnosis of early symptoms of carcinoma of the Portio. Besides this, the instrument is indispensable for photographing cavities of the human body (the inside of the mouth, the pharyngeal gland). "KOLPOPHOT" consists of the close-up attachment No. 1, a Triotar f/4.0 mm. telephotolens 135 mm. (instead of the standard 50-mm. lens), an electronic flash attachment with circular bulb, and a pilot light for viewfinding and focusing. In addition, the Exakta requires the Penta Prism finder with a clear focusing glass installed in it.

Copying of Documents and Reproductions from Books. The Copying Stand (No. 4), has a wooden baseboard of "by" to which column is screwed on. The column has an extension to which the camera holder and the gliding rail are secured. This arrangement provides for several possibilities of setting the distance between the film plane and the subject. To increase the distance between lens and film plane, extension tubes should be used; but the bellows attachment is also practical. Provisions are made for lamp holders to be installed with this unit.

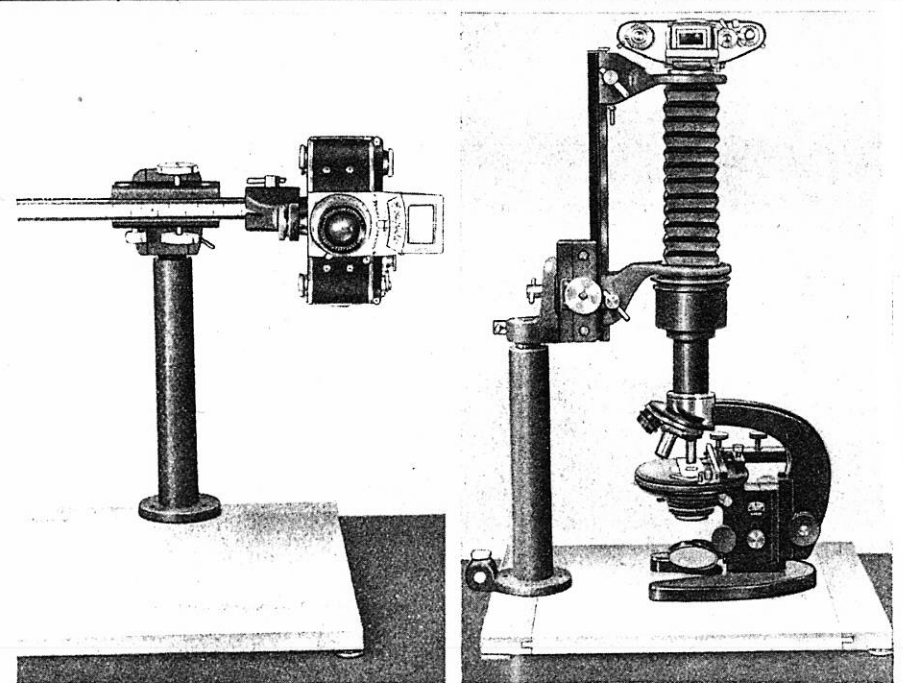
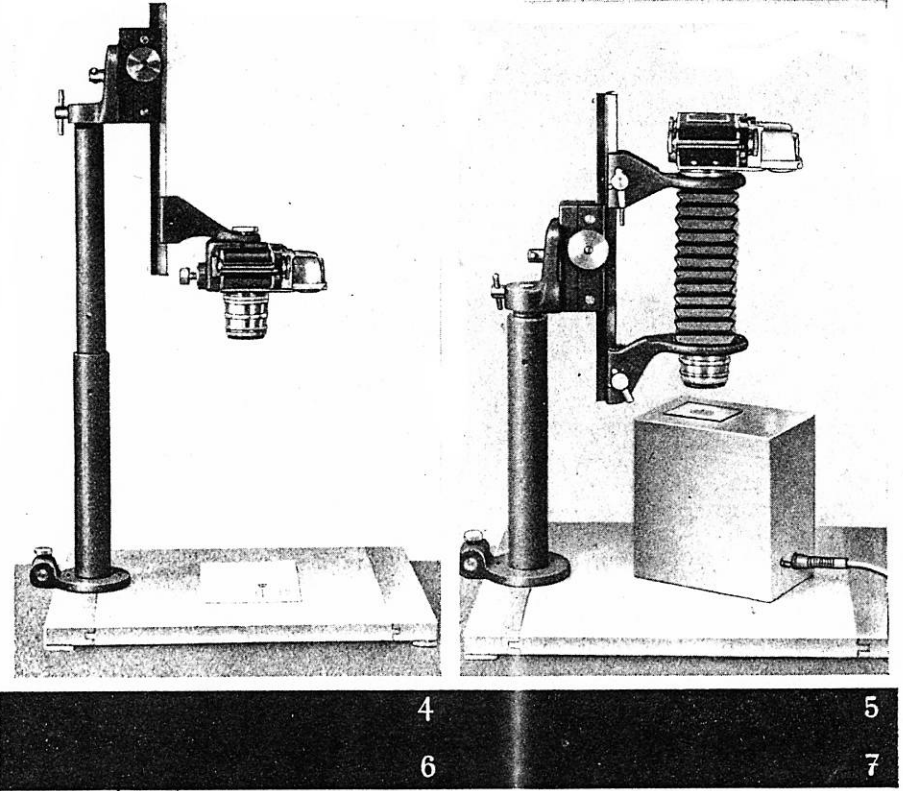
Figure No. 5 explains how easily the camera can approach a subject even at the shortest distance. The proper arrangement of light in this instance is important, but very convenient . . . a lightbox for transparent subjects, light projected from above or the sides for opaque subjects or a combination of both.

Stereo pictures. For taking 2 stereoscopic pictures in succession, the camera is put on the sliding rail with the latter in horizontal position. (Fig. 6). Both the Copying Stand or a sturdy tripod can be used at will. The camera can be set in the horizontal or in the vertical as needed. The sliding rail allows for a sideways dislocation of the camera up to 430 mm.

Microphotography. Close-up attachment and Copying Stand are provided for holding the camera on top of the microscope without connecting each to the other firmly. The scale of enlargement can be changed instantaneously by extending or reducing the bellows. For microphotographic work, a light trap is inserted in lieu of the camera lens.

Other applications include the use of the Copying Stand as a table camera stand of exceptional rigidity, with the camera in the horizontal or vertical, similar to fig. 5 and 6.

The illustrations and descriptions contained in this folder summarize only a few of the possible uses of the "VIELZWECK". The versatility of the unit and its different components is far-reaching to an extent which is limited solely by the requirements of the user. Experimenting and employing his power of combination will result in the user discovering ways in which the "VIELZWECK" will render many unexpected services. More parts and devices will be designed and added to the unit in the course of time. They will be made to the standards of the whole assembly in order to fit each of its parts, as is the usual procedure with all IHAGEE products.



EXAKTA

6 x 6

for 12 exposure
s $2\frac{1}{4} \times 2\frac{1}{4}$ from
a 120 rollfilm

We are introducing our new, entirely re-designed Exakta 6 x 6. Many revolutionary features are incorporated into this; Ihagee's most modern camera. The Exakta 6 x 6 will create lasting sensations among the most consummate perfectionist in photography.

This is an abridged description of the Exakta 6x6: Single-lens reflex design rendering identical images on the focusing ground-glass and the film. The square body of the camera retains the

characteristic of the quadratic picture format and rests securely in the photographer's hand. Attractive outside appearance has been attained through the use of a satin chrome finish and fine leather covering between the metallic edges of the box. No complicated parts — therefore, simple in use. Focusing on the ground plane screen of a magnifying condenser lens gives a bright and upright image. Magnifier for extra critical focusing. The finder hood opens automatically into position and can be used as a sport frame finder. Easy loading and reliable film transport. The back cover is removable and interchangeable. One turn around of the film transport knob winds the shutter and brings automatically fresh film into picture taking position. The focal plane shutter has a fast and slow speed setting from $\frac{1}{1000}$ sec. to 12 full seconds, T & B. The built-in selftimer release has a fast and slow speed setting from $\frac{1}{1000}$ sec. to 6 full seconds.

The coupled shutter winding and film transport eliminates the danger of double-exposure and unexposed frames. The shutter release knob has threads to accept a cable release. Fully synchronized with separate contacts for regular flash (M) and electronic flash (X). The Exakta's lenses, made by the most renowned optical factories, have Ihagee's special bayonet mount, helical focusing barrel and preset diaphragms. Telephoto and wide-angle lenses are available, also attachments for close-up, photomicrography and similar purpose.



Dresden A 16 (Germany)

Genehmigt durch das Ministerium für
Außenhandel und Innerdeutschen Handel
der Regierung der Deutschen Demokratischen
Republik unter TRPT-Nr. 11468/52