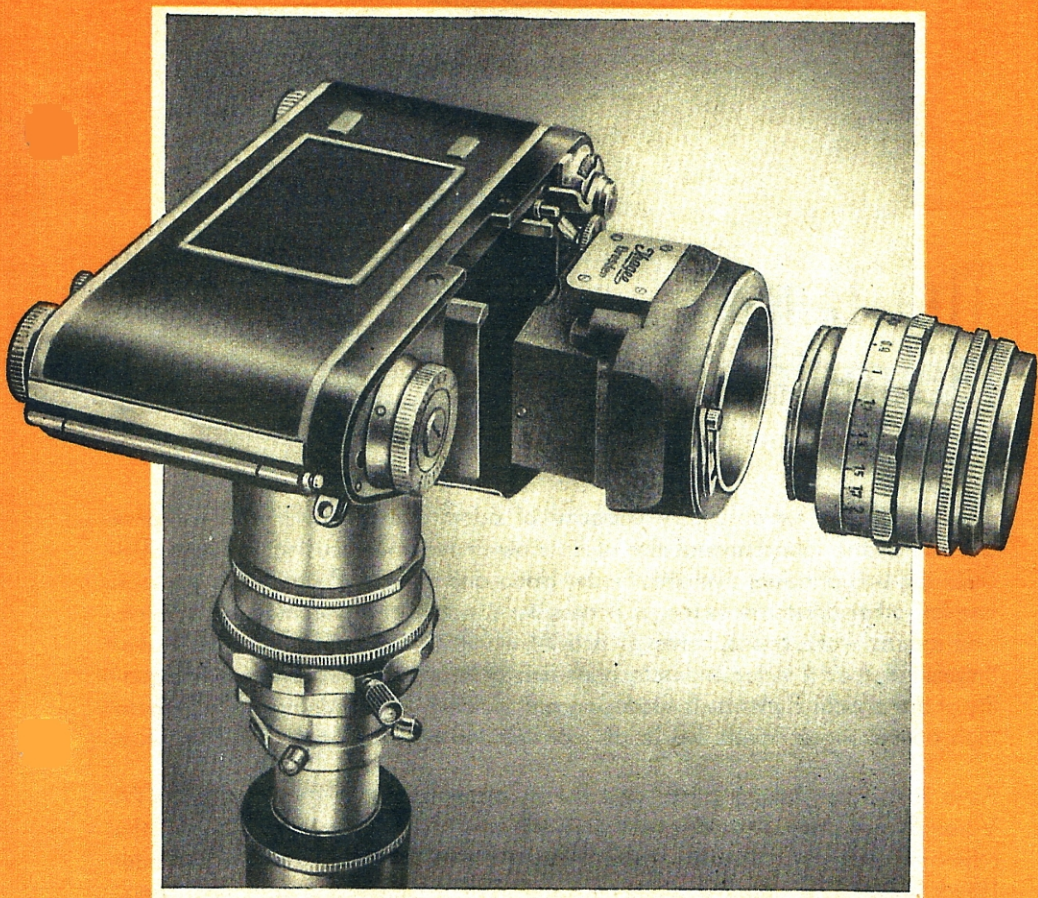


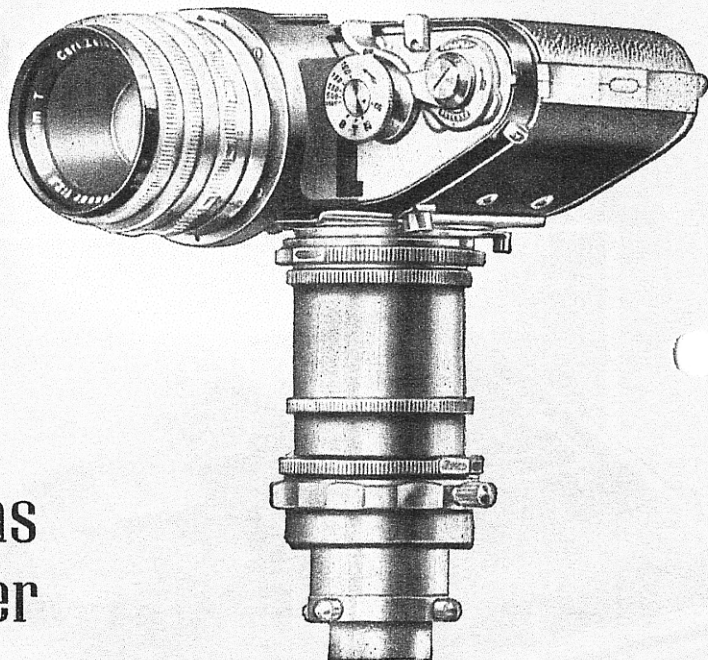
The Lens Magnifier



for the

EXAKTA *Varex*

The Lens Magnifier



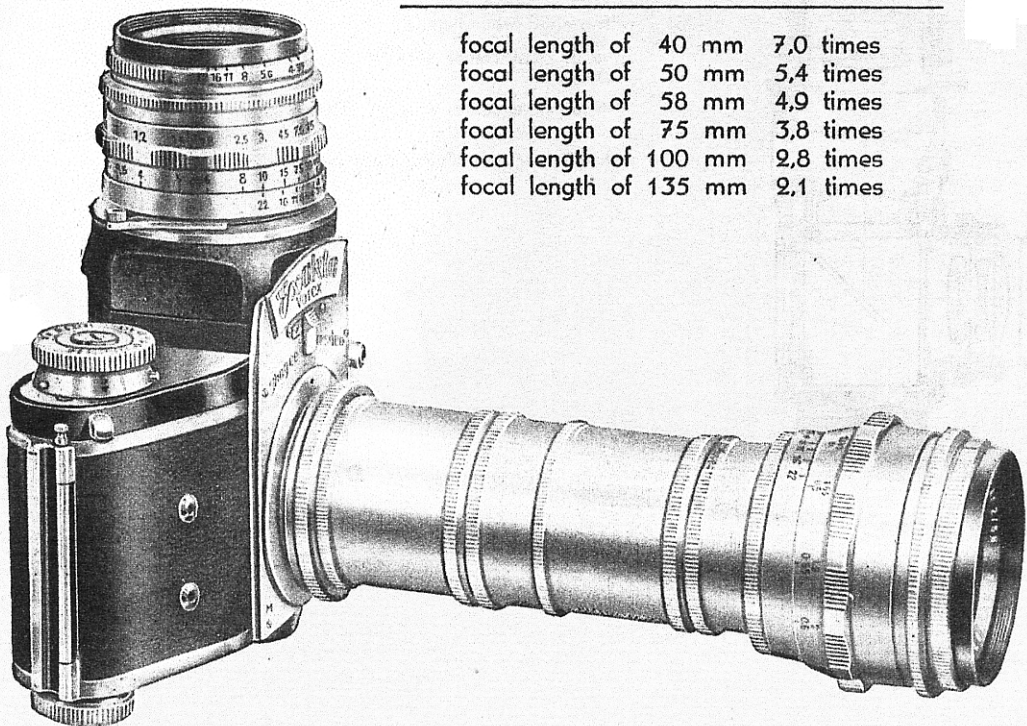
The key to the extraordinary capacity of adaptation of the EXAKTA Varex consists in the interchangeability of its view-finder and focusing systems. Besides the two principal systems, Finder Hood and Special Penta Prism you can employ other attachments too, if necessary, for special requirements. For micro and macro work, two spheres of activity where the EXAKTA Varex has distinguished itself it is, for example, often desirable to considerably raise the quality of the optical elements for focusing and viewing. The endeavor to fulfil these high optical requirements led to the construction of the special Lens Magnifier.

As a rule, when taking micro and macro pictures, you will use the EXAKTA Varex Finder Hood, its two lenses giving a very favorable magnification of the reflex image. The hinged-on magnifying glass in the front flap of the Finder Hood, however, is adapted mainly for the normal picture and its optical capacity therefore, does not always meet the demands of photomicrography and macrophotography. This kind of work usually requires corner-clear and distortion-free rendition of image a demand scarcely to be complied with so well in any other way as by employing the highly corrected standard and special EXAKTA Varex lenses as finder magnifying glasses. For this purpose the special Lens Magnifier has been constructed.

The camera lens not being necessary for photomicrography, as only the eyepiece and lens of the microscope are used the normal optical system of the EXAKTA Varex becomes free to act as magnifying lens. For macrophotography, it is true, a camera lens is employed, but in this case also you may attach a special lens as magnifier, for in most cases the experienced photographer will have several lenses at his disposal. All lenses have to be focused at infinity and inserted into the bayonet mount of the special Lens Magnifier, which is used in the EXAKTA Varex instead of Finder Hood or Special Prism. The lens systems with a focal length of 50 mm and more render it possible to view the entire reflex image area corner sharp and free of distortion. When employing long-focus lenses the magnification is smaller than it is at a shorter focal distance. Consequently, the wideangle lenses with a focal length of 40 mm give the largest magnification, however, you can in this case view only the middle part of the image. The following table may be consulted as to the approximate magnification of the different lenses.

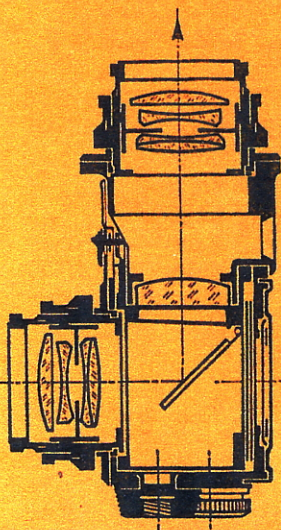
Magnification by lens (incl. groundglass or clear glass of the camera).

focal length of	40 mm	7,0 times
focal length of	50 mm	5,4 times
focal length of	58 mm	4,9 times
focal length of	75 mm	3,8 times
focal length of	100 mm	2,8 times
focal length of	135 mm	2,1 times



Practice has proved that the special Lens Magnifier is a valuable asset to micro and macro photography, but its application is by no means restricted to these two fields of picture taking alone. Wherever in the vast field of EXAKTA Varex's picture taking focusing accuracy exceeding the normal bounds is required, you can employ the special Lens Magnifier with full success. We especially refer to all technical photography, reproductions, up-to-date documentary work, architecture and landscapes, etc.

The special Lens Magnifier is available with a magnifying ground glass for intercepting the reflex image, it may, however, be provided with magnifying lenses either with clear center spot of 3 or 10 mm diameter or with fully clear lenses. These are of great advantage, above all for micro work and close-ups with subject magnification in the negative (magnifier pictures); focusing being made possible by use of the aerial image. A hair line cross prevents the eye from involuntary accommodation. When working in this way, the special Lens Magnifier helps you to find the aerial image with your eye easily and surely. Even during movement of the eye, the image visible in the Lens Magnifier remains constant. Ground-glass lenses, of course, and special lenses are interchangeable, thus you can always use magnifier most suitable to your purpose.



Special Lens Magnifier

with clear glass magnifying lens order Nr. 308.01

with matted ground-glass

with clear center spot of 3 mm \varnothing and hairline cross
order Nr. 302.03

with clear center spot of 10 mm \varnothing and hairline cross
order Nr. 302.04

with all-clear magnifying glass with hairline cross
order Nr. 302.02

E

